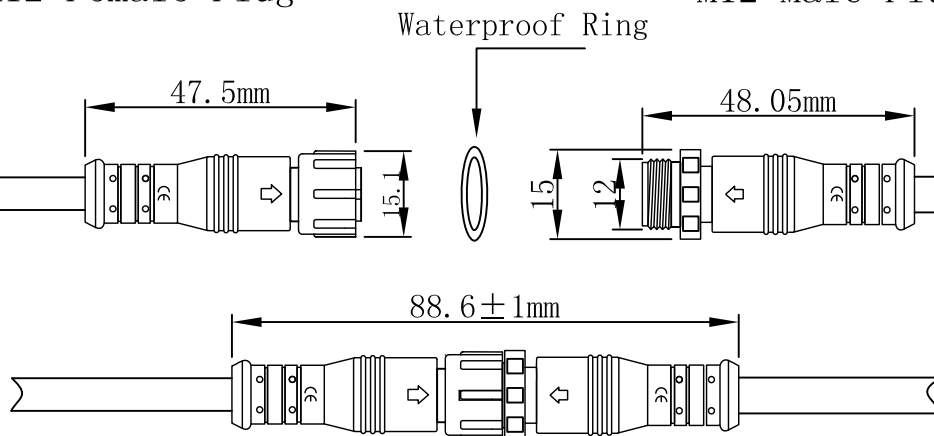


M12 Female Plug

M12 Male Plug



Core Number	2Pin	3Pin	4Pin	5Pin	2+3	6Pin	7Pin	8Pin
Male Plug Hardware Ranking								
Female Plug Hardware Ranking								
Rated voltage	24-220V							
Withstand voltage	1500V	1500V	1500V	1250V	1250V	1250V	1250V	1250V
Rated Current	8A	6A	6A	3A	8+3A	2A	2A	2A
Wire Matching	≤1.0mm ²	≤0.75mm ²	≤0.5mm ²	≤0.3mm ²	≤0.3mm ²	≤0.3mm ²	≤0.2mm ²	≤0.2mm ²
Wire Outer Diameter	5.0mm ≤ φ ≤ 7.2mm							
Hardware	φ1.5-0.8/Gold Plated/Solid Needle							
Contact Resistance	≤10m Ω							
Operating Temperature	-40℃ - +105℃							
Number of Pluggable	5000							
Waterproof Level	IP67							
Plastic Material	PVC/NyLon/Rubber							
Waterproof Ring	Red Silicone Ring							
Connection Method	Tighten							